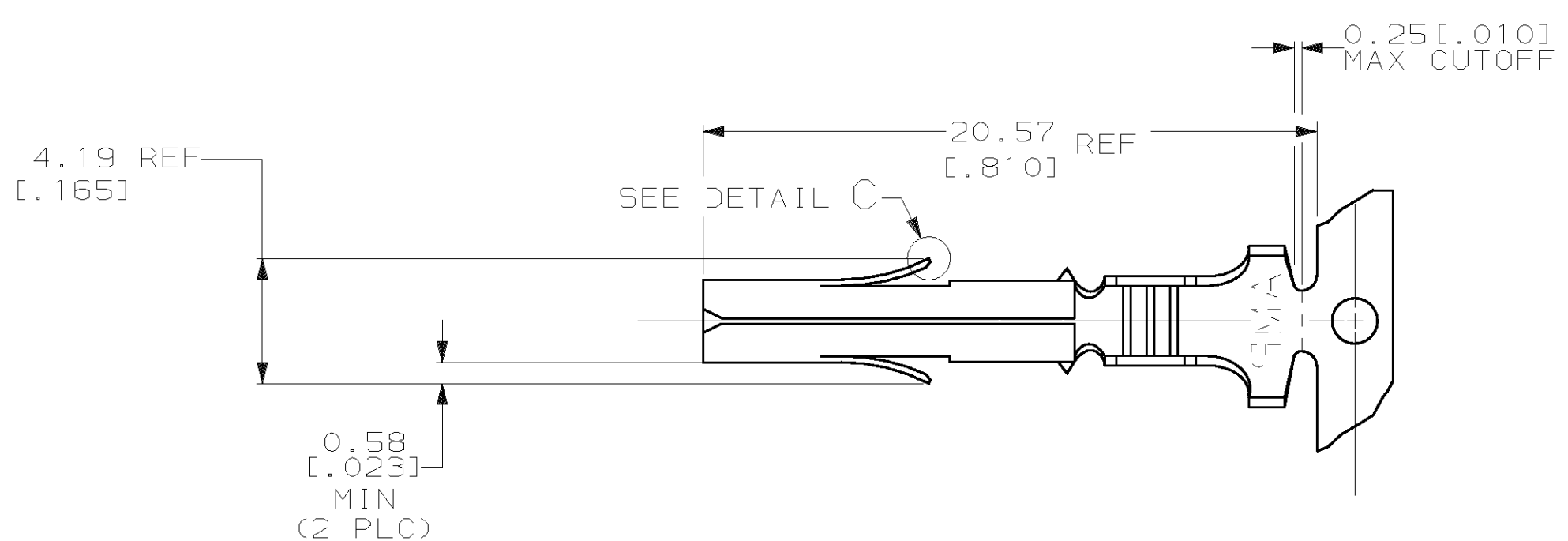
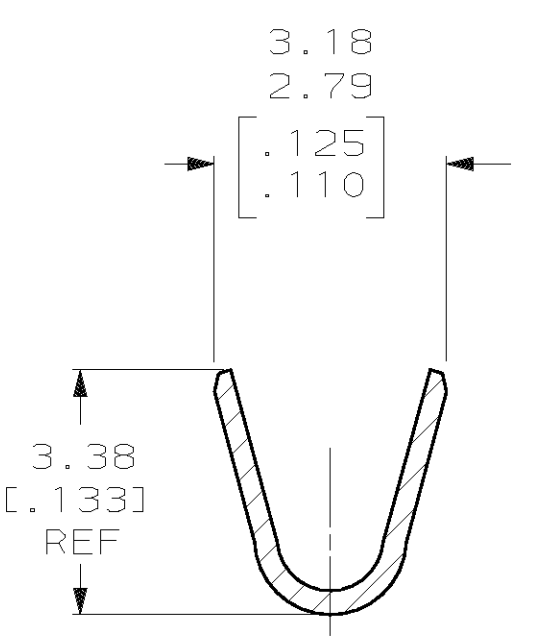
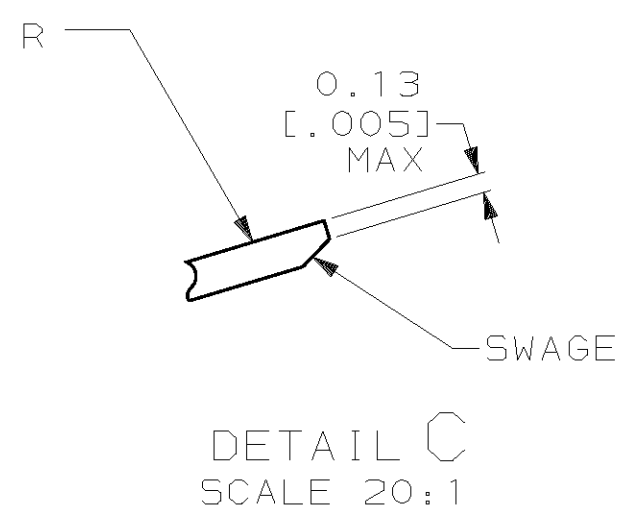
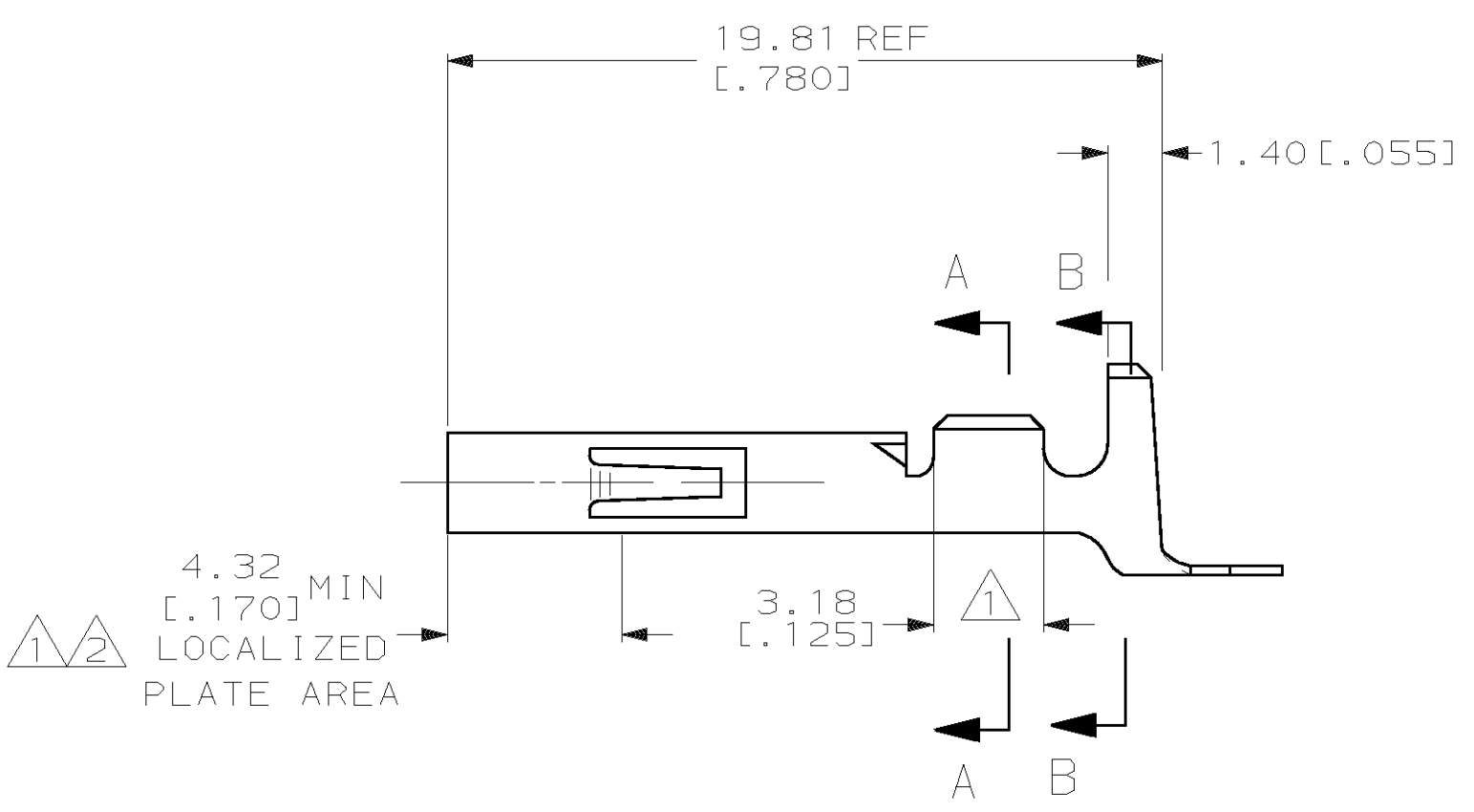
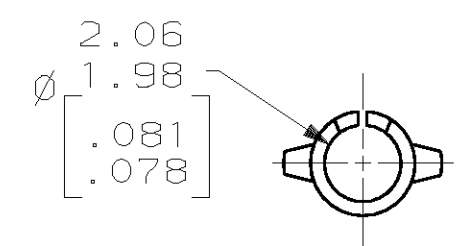


THIS DRAWING IS UNPUBLISHED. RELEASED FOR PUBLICATION, 19 .
 © COPYRIGHT 19 BY AMP INCORPORATED. ALL INTERNATIONAL RIGHTS RESERVED.

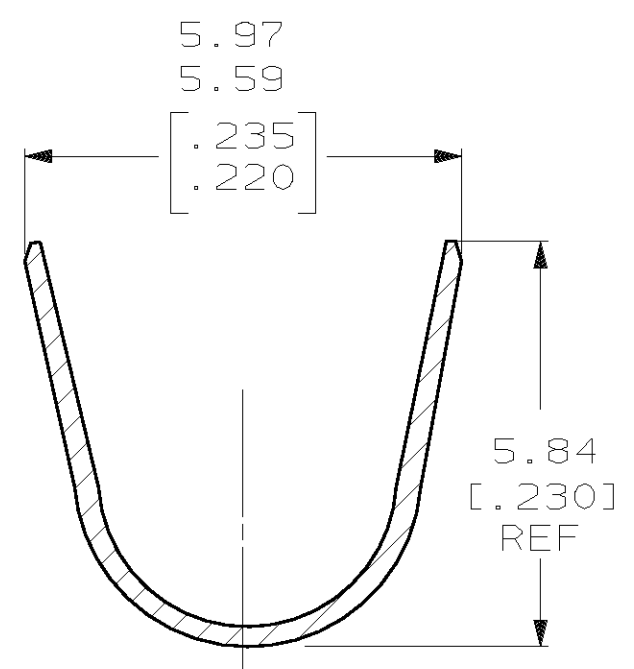
LOC		DIST		REVISIONS				DATE	APPD
CM	53	P	F	ZONE	LTR	DESCRIPTION			
					AD	REVISED PER EC 063B-0100-03	18-FEB-03	KW SR	



- ① 0.00076 [.000030] THK GOLD OVER NICKEL ON INSIDE OF RECEPTACLE AND WIRE BARREL; REMAINDER OF CONTACT IS NICKEL PLATED.
- ② 0.00076 [.000030] THK GOLD ON INSIDE OF RECEPTACLE; REMAINDER OF CONTACT IS NICKEL PLATED.
- 3. DIMENSIONS IN BRACKETS ARE IN INCHES.
- ④ PACKAGED AND SOLD IN PALLET LOADS ONLY. 44 REELS PER PALLET (110,000 CONTACTS).



SECTION A-A
SCALE 10:1



SECTION B-B
SCALE 10:1

FINISH	MATERIAL	PART NO
TIN	MAKE FROM 350537-1	1-350537-1
GOLD ②	0.30 [.012] BRASS	350537-7
GOLD ②	0.30 [.012] PH BZ	350537-6
TIN	0.30 [.012] PH BZ	350537-3
GOLD ①	0.30 [.012] BRASS	350537-2
TIN	0.30 [.012] BRASS	350537-1
LOOSE PIECE (REF)	FINISH	PART NO

DO NOT SCALE PRINT. UNLESS SPECIFIED DIMENSIONS IN mm [INCHES] TOLERANCES ON:
 2 PLC DEC ± -
 3 PLC DEC ± 0.13 [.005]
 ANGLES ± -
 WIRE RANGE 20-14 AWG
 INSULATION RANGE 5.08 [.200] DIA MAX

DR 6-11-91 K. SALMON
 CHK 6-11-91 R. SWING
 APPD 6-12-91 D. SELF
 APPD 6-12-91 D. SELF
 PRODUCT SPEC -
 APPLICATION SPEC -
 WEIGHT -

AMP AMP Incorporated
 Harrisburg, PA 17105-3608

NAME
SOCKET, UNIVERSAL MATE-N-LOK™

SIZE ©	CAGE CODE 00779	DRAWING NO 350537
SCALE 5:1	SHEET 1 OF 1	

